

# Macduff Robotics

Intelligent Subsea Equipment



## Description:

Rolling bladder type reservoirs for the storage of fluid subsea. Predominantly used as reservoirs in subsea hydraulic systems, these mildly pressurised units ensure reliable fluid feed to subsea pumps and eliminate risk of cavitation or suction hose collapse.

## Hydraulic Reservoir - 9550cc & 15750cc versions

### MAIN FEATURES

- Corrosion resistant.
- Two size options
- Anodised Aluminium body with rubber diaphragm and stainless steel spring.
- BSPP, SAE, and NPT ports available.

### Further Information

3d design model available on request

### Equipment supplied

Standard supply includes

- Reservoir unit.
- Operating manual

### Optional supply

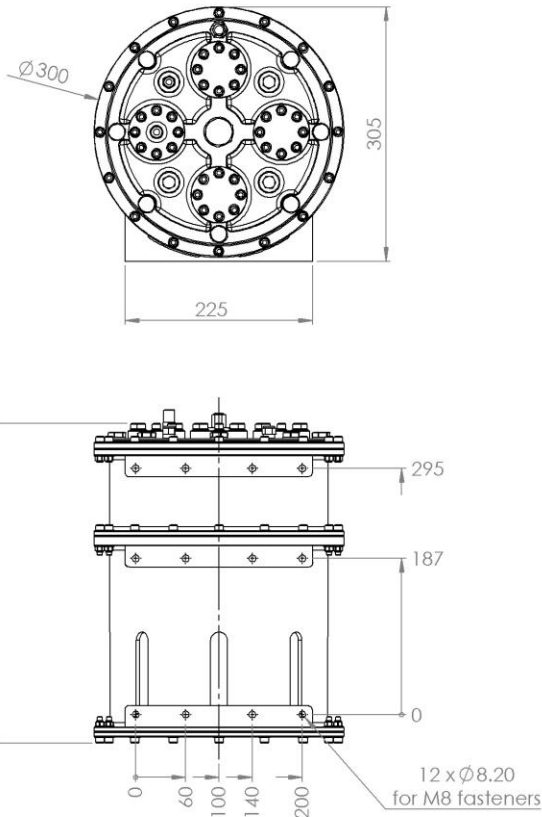
- Spares Kit



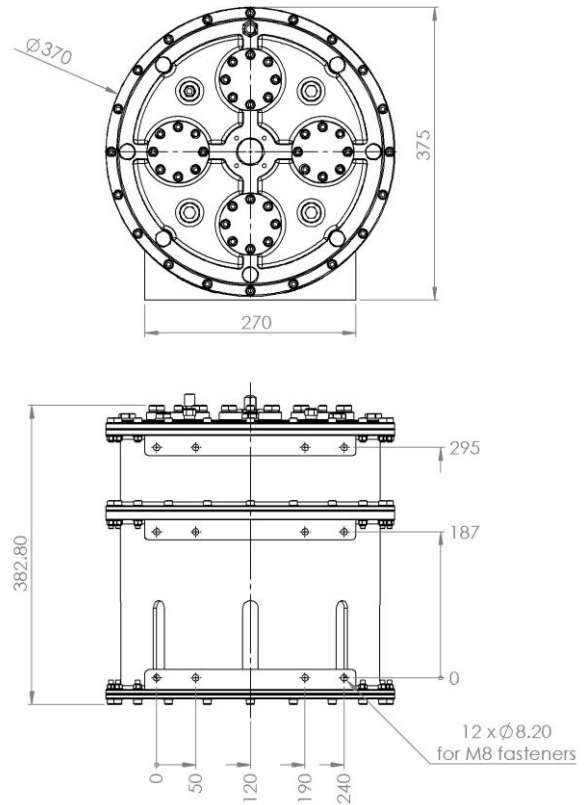
info@macduff-robotics.com

## Dimensions (Bracket Mount types)

9500cc



15750cc



## Weights

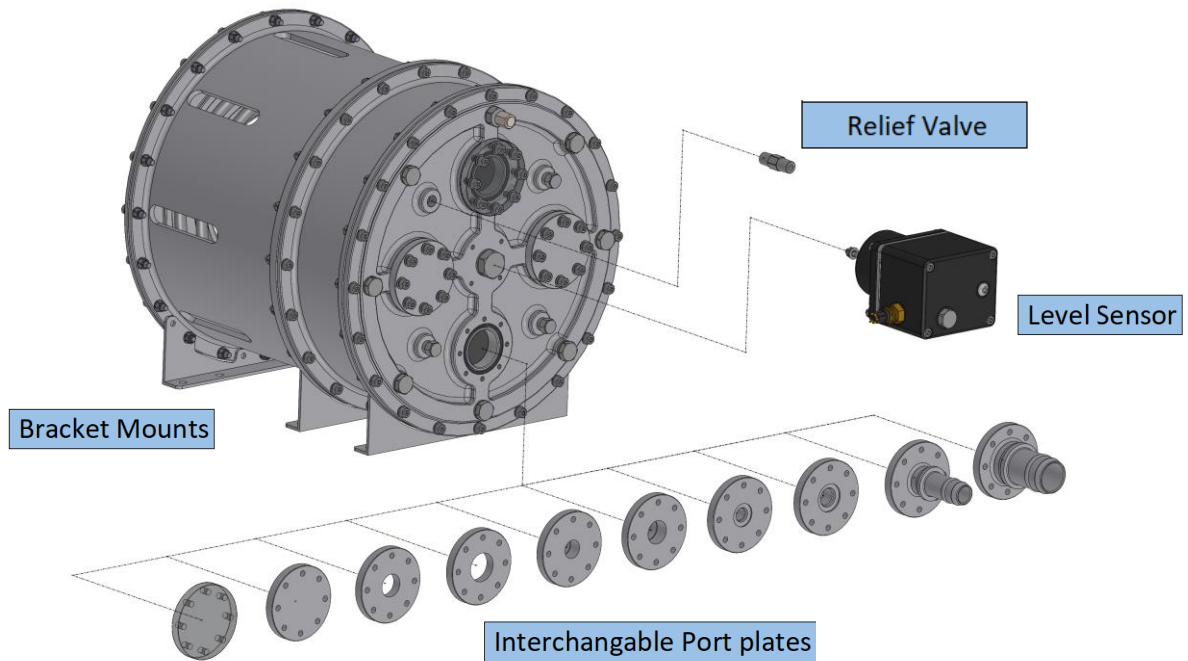
|                 | Unit Volume (cc) | Weight in Air (Kg) | Weight in Fresh Water (Kg) | Weight in Sea Water (Kg) |
|-----------------|------------------|--------------------|----------------------------|--------------------------|
| Reservoir Units | 9550             | 19.30              | 13.202                     | 13.019                   |
|                 | 15750            | 26.79              | 18.046                     | 17.783                   |

Information contained in this data sheet is up-to-date and correct as at the date of issue. All product designs, specifications and data are subject to change without notice to improve reliability, function, design or otherwise. No express or implied warranties are given.

## Options

The Reservoir has 4 main outlet ports, which can be fitted with adapter plates, including clear window, blank, threaded ports, and hose barbs. Custom port adapters can also be manufactured on request.

An optional over pressure relief valve (recommended) can also be fitted to one of the standard 1/2" NPT ports.

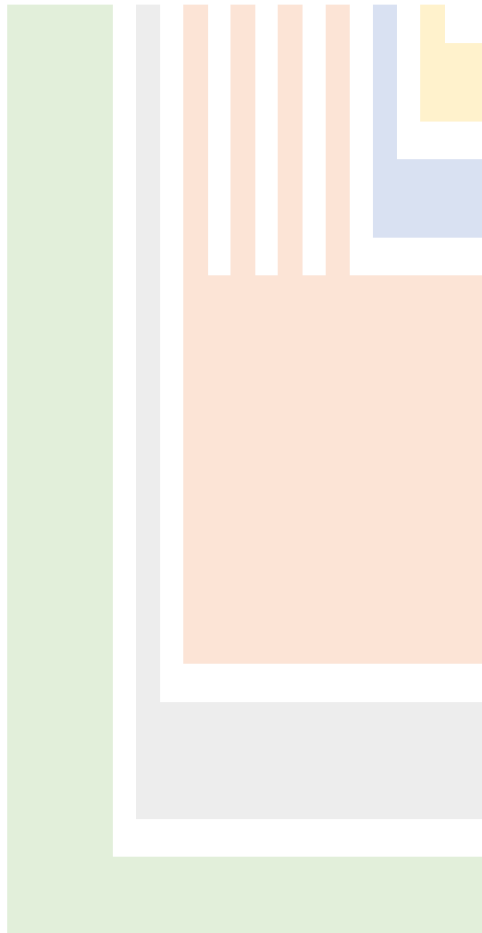


| Option Number | Port Options                  |
|---------------|-------------------------------|
| 1             | Clear (Window)                |
| 2             | Blank                         |
| 3             | G3/4                          |
| 4             | G1                            |
| 5             | 1/2" NPT                      |
| 6             | 3/4" NPT (15750cc only)       |
| 7             | SAE-6                         |
| 8             | SAE-8                         |
| 9             | 1" Hose Barb                  |
| 10            | 1.5" Hose Barb (15750cc only) |

Information contained in this data sheet is up-to-date and correct as at the date of issue. All product designs, specifications and data are subject to change without notice to improve reliability, function, design or otherwise. No express or implied warranties are given.

## Part numbering

GA0018 - B - 1 - 2 - 3 - 4 - R - L



|        |                               |
|--------|-------------------------------|
| L      | Level sensor (0-10vdc)        |
| 0      | Not fitted                    |
| R      | Relief Valve                  |
| 0      | Not fitted                    |
| 1      | Clear (Window)                |
| 2      | Blank                         |
| 3      | G3/4                          |
| 4      | G1                            |
| 5      | 1/2" NPT                      |
| 6      | 3/4" NPT (15750cc only)       |
| 7      | SAE-6                         |
| 8      | SAE-8                         |
| 9      | 1" Hose Barb                  |
| 10     | 1.5" Hose Barb (15750cc only) |
| B      | Bracket Mount                 |
| S      | Saddle Mount                  |
| 0      | Not fitted                    |
| GA0018 | 9550cc                        |
| GA0019 | 15750cc                       |

## Numbered example

GA0019-S-4-4-1-2-R-0 15750cc unit fitted with saddle mounts, 2x G1 ports plates, 1x clear plate, and 1x blank plate, with relief valve. Level sensor not fitted.

Information contained in this data sheet is up-to-date and correct as at the date of issue. All product designs, specifications and data are subject to change without notice to improve reliability, function, design or otherwise. No express or implied warranties are given.